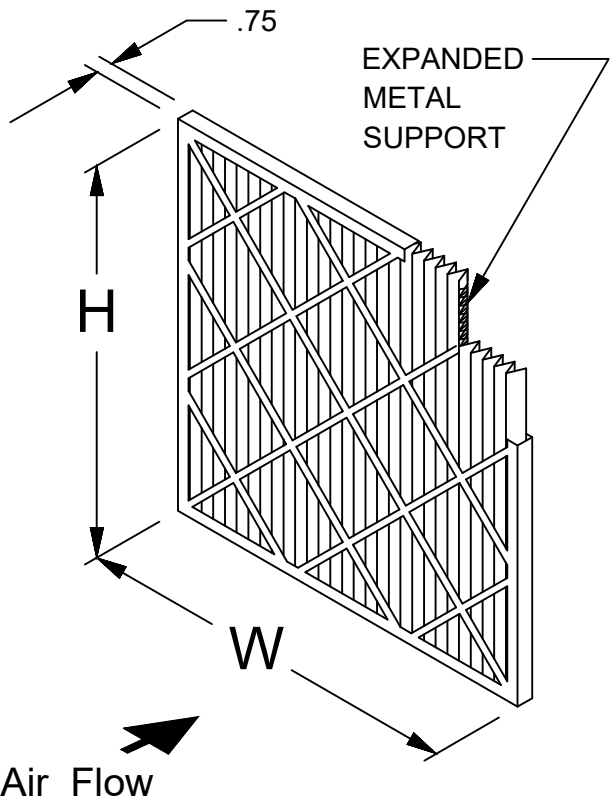


Nominal Size W x H x D (in)	Actual Size W x H x D (in)	Part Number	Capacity (CFM)	Resistance (in W.G.)	Media Area (sq ft)	Carton Qty	Weight per Carton (lbs)
10 x 10 x 1	9-1/2 x 9-1/2 x 3/4	102-111-020	200	0.15	1.2	12	10
10 x 20 x 1	9-1/2 x 19-1/2 x 3/4	102-380-001	425	0.15	2.4	12	7
12 x 12 x 1	11-1/2 x 11-1/2 x 3/4	102-380-051	300	0.15	1.7	12	10
12 x 18 x 1	11-1/2 x 17-1/2 x 3/4	102-111-001	450	0.15	2.6	12	11
12 x 20 x 1	11-1/2 x 19-1/2 x 3/4	102-111-002	500	0.15	2.9	12	12
12 x 24 x 1	11-3/8 x 23-3/8 x 3/4	102-380-002	600	0.15	3.5	12	9
12 x 25 x 1	11-1/2 x 24-1/2 x 3/4	102-111-003	625	0.15	3.6	12	14
14 x 20 x 1	13-1/2 x 19-1/2 x 3/4	102-380-003	575	0.15	3.4	12	11
14 x 24 x 1	13-1/2 x 23-1/2 x 3/4	102-111-005	700	0.15	4.1	12	15
14 x 25 x 1	13-1/2 x 24-1/2 x 3/4	102-380-004	725	0.15	4.2	12	13
14 x 30 x 1	13-1/2 x 29-1/2 x 3/4	102-111-039	875	0.15	5.0	12	14
15 x 20 x 1	14-1/2 x 19-1/2 x 3/4	102-380-005	625	0.15	3.6	12	11
15 x 25 x 1	14-1/2 x 24-1/2 x 3/4	102-111-006	775	0.15	4.5	12	16
16 x 16 x 1	15-1/2 x 15-1/2 x 3/4	102-111-007	550	0.15	3.1	12	13
16 x 20 x 1	15-1/2 x 19-1/2 x 3/4	102-380-006	675	0.15	3.9	12	11
16 x 24 x 1	15-1/2 x 23-1/2 x 3/4	102-111-008	800	0.15	4.6	12	14
16 x 25 x 1	15-1/2 x 24-1/2 x 3/4	102-380-007	850	0.15	4.8	12	12
16 x 30 x 1	15-1/2 x 29-1/2 x 3/4	102-111-018	1000	0.15	5.7	12	15
18 x 18 x 1	17-1/2 x 17-1/2 x 3/4	102-111-009	675	0.15	3.9	12	14
18 x 20 x 1	17-1/2 x 19-1/2 x 3/4	102-111-015	750	0.15	4.3	12	14
18 x 24 x 1	17-3/8 x 23-3/8 x 3/4	102-111-016	900	0.15	5.2	12	14
18 x 25 x 1	17-1/2 x 24-1/2 x 3/4	102-111-011	950	0.15	5.4	12	14
18 x 30 x 1	17-1/2 x 29-1/2 x 3/4	102-111-044	1125	0.15	6.5	12	15
20 x 20 x 1	19-1/2 x 19-1/2 x 3/4	102-380-008	850	0.15	4.8	12	12
20 x 22 x 1	19-3/4 x 21-1/2 x 3/4	102-111-049	900	0.15	5.3	12	13
20 x 24 x 1	19-3/8 x 23-3/8 x 3/4	102-111-017	1000	0.15	5.8	12	14
20 x 25 x 1	19-1/2 x 24-1/2 x 3/4	102-380-009	1000	0.15	6.0	12	13
20 x 30 x 1	19-1/2 x 29-1/2 x 3/4	102-111-012	1250	0.15	7.2	12	16
24 x 24 x 1	23-3/8 x 23-3/8 x 3/4	102-380-010	1200	0.15	6.9	12	14
24 x 30 x 1	23-1/2 x 29-1/2 x 3/4	102-111-013	1500	0.15	8.7	12	16
25 x 25 x 1	24-1/2 x 24-1/2 x 3/4	102-111-014	1300	0.15	7.5	12	16



Standard Construction:

1. New White 100% Synthetic Media
2. Rust Resistant Expanded Metal Support on Downstream Side
3. Moisture Resistant Beverage Board Frame (24 point)
4. Double Wall Frame
5. 12 Pleats per Linear Ft.

Notes:

1. All Dimensions are in Inches Unless Otherwise Noted.
2. Drawing Not To Scale

Specifications:

1. Efficiency: MERV 10 (ASHRAE Standard 52.2-2017)
2. Final Resistance: 1.0" W.G.
3. Rated Velocity: 300 FPM
4. Classified per UL Standard 900
5. Max Operating Temp: 200 F (66C)
6. Tolerance: Height & Width - +/- 1/8"
7. Tolerance: Depth - +/- 1/16"

	Multi-Pleat XL10 1" Standard Capacity	REV	REVISION	BY / DATE
		LTR		
8401 Air Commerce Drive - Louisville KY 40219 Phone: (502) 634-4796 FAX: (502) 637-2280	Drawn By: Dave Miller Date: 23 August, 2022	Revision		